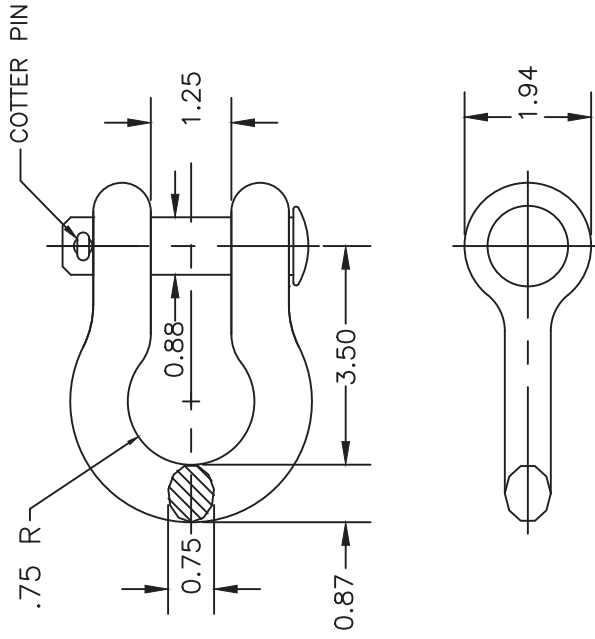


NOTES:

- 1) MATERIAL: BODY – GALVANIZED FORGED STEEL.
COTTER PIN – STAINLESS STEEL
CLEVIS PIN – GALV. STEEL.
- 2) DIMENSIONS IN INCHES.
- 3) ULTIMATE STRENGTH 50,000 LB.
- 4) GALVANIZATION PER ASTM A153
- 5) WEIGHT: 2.3 LBS.



		HUBBELL® POWER SYSTEMS	
ANDERSON® TOLERANCE CHART		ANCHOR SHACKLE 50K LBS ULT	
<small>CONFIDENTIAL: THIS DRAWING AND ITS CONTENTS ARE CONFIDENTIAL AND THE EXCLUSIVE PROPERTY OF HUBBELL POWER SYSTEMS. NO PUBLICATION, DISTRIBUTION OR COPIES MAY BE MADE WITHOUT THE WRITTEN CONSENT OF HUBBELL POWER SYSTEMS. UNPUBLISHED HUBBELL POWER SYSTEMS DRAWINGS ARE RESERVED UNDER THE COPYRIGHT LAWS.</small>		SIZE DWG NO. A	CAT / PART / ASSY NO. AS-50-W
EC #	DATE	CHG BY	REV
DESC OF DWG:	---	---	A
REASON (S) FOR CHANGE:	---	DRN BY MWA	DATE 1/6/12
DISPOSITION OF MAT'L:	---	SHEET 1 OF 1	1